

PRODUCT INFORMATION PACKET

Model No: 145TTDR16054

Catalog No: U923A

1.50 HP General Purpose Motor, 3 phase, 1800 RPM, 575 V, 145T Frame, ODP
Three Phase ODP Motors





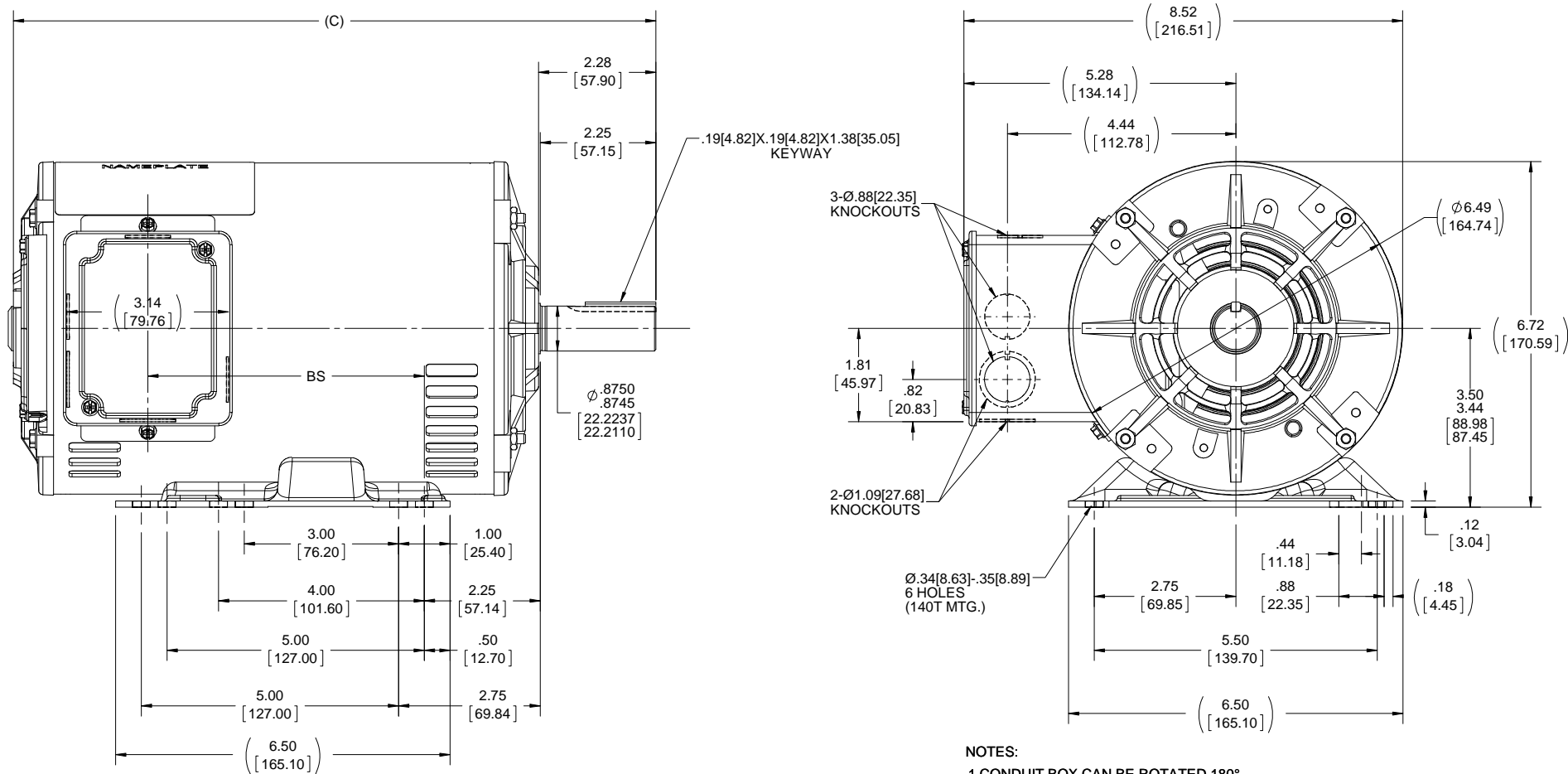
Nameplate Specifications

Output HP	1.50 Hp	Output KW	1.1 kW
Frequency	60 Hz	Voltage	575 V
Current	1.8 A	Speed	1755 rpm
Service Factor	1.15	Phase	3
Efficiency	86.5 %	Power Factor	75
Duty	Continuous	Insulation Class	F
Design Code	B	KVA Code	M
Frame	145T	Enclosure	Drip Proof
Thermal Protection	Automatic	Ambient Temperature	40 °C
Drive End Bearing Size	6205	Opp Drive End Bearing Size	6203
UL	Recognized	CSA	Y
CE	Y	IP Code	22

Technical Specifications

Electrical Type	Squirrel Cage Induction Run	Starting Method	Across The Line
Poles	4	Rotation	Reversible
Resistance Main	8.64 Ohms	Mounting	Rigid base
Motor Orientation	Horizontal	Drive End Bearing	Ball
Opp Drive End Bearing	Ball	Frame Material	Rolled Steel
Shaft Type	T	Overall Length	12.99 in
Frame Length	9.06 in	Shaft Diameter	0.875 in
Shaft Extension	2.28 in	Assembly/Box Mounting	F1 ONLY
Connection Drawing	EE7335B	Outline Drawing	108586-906

This is an uncontrolled document once printed or downloaded and is subject to change without notice. Date Created:18/06/2020



NOTES:

- 1.CONDUIT BOX CAN BE ROTATED 180°.
- 2.NAMPLATE READ FROM CONDUIT BOX SIDE.

DASH NO.	"C"	"BS"/140T
856	12.49[317.24]	5.37[136.39]
906	12.99[329.94]	5.87[149.09]

DRAWING REVISION	REVISION BY	DATE
A		
ECO-0148825	APPROVED BY	DATE
ECO DESCRIPTION OUTLINE CONVERSION PROJECT		

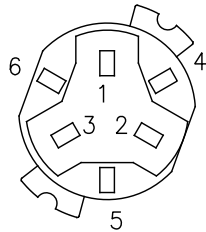
COPYRIGHT REGAL BELOIT AMERICA, INC. ALL RIGHTS RESERVED.
PROPRIETARY AND CONFIDENTIAL INFORMATION - THIS DOCUMENT IS THE PROPERTY OF REGAL BELOIT AMERICA, INC. (OWNER) AND CONTAINS OWNER'S PROPRIETARY INFORMATION. ANY PERSON, CORPORATION OR OTHER FIRM RECEIVING IT IS DEEMED, BY RECEIVING IT, TO AGREE THAT IT, AND/OR ANY PART OF IT, SHALL NOT BE DISCLOSED TO ANY PERSON, CORPORATION OR OTHER ENTITY, DUPLICATED, AND/OR USED, EXCEPT AS EXPRESSLY APPROVED IN WRITING IN ADVANCE BY OWNER. THIS DOCUMENT SHALL BE RETURNED TO OWNER UPON REQUEST. IT MAY BE SUBJECT TO CERTAIN RESTRICTIONS UNDER APPLICABLE EXPORT CONTROL LAWS AND REGULATIONS.

TOLERANCES UNLESS OTHERWISE SPECIFIED:		
DEC.	INCH	mm
.X	+0.1	[+2.5]
.XX	+0.03	[+0.76]
.XXX	+0.005	[+0.127]
.XXXX	+0.0005	[+0.0127]
REMOVE BURRS & BREAK SHARP EDGES: .003/.015 [0.076/.381] X 45°		
CORNER FILLETS: R.02 [51]		
MACHINED SURFACES: 200 INCH/mm 5.1°		
mm SHOWN IN [BRACKETS]		

DRAWN BY	DATE
A. KEETHA	01-11-2018
APPROVED BY	DATE
JD	7/16/2018
REFERENCE	THIRD ANGLE PROJECTION
100085	

REGAL™ Regal Beloit America, Inc.	
DESCRIPTION	OUTLINE 140T & 56HZ - DR.PR.
MATERIAL	PROCESS/FINISH
SIZE	DRAWING NUMBER
B	108586
SHEET 1 OF 1	

SINGLE VOLTAGE – THREE PHASE WITH OVERLOAD PROTECTOR

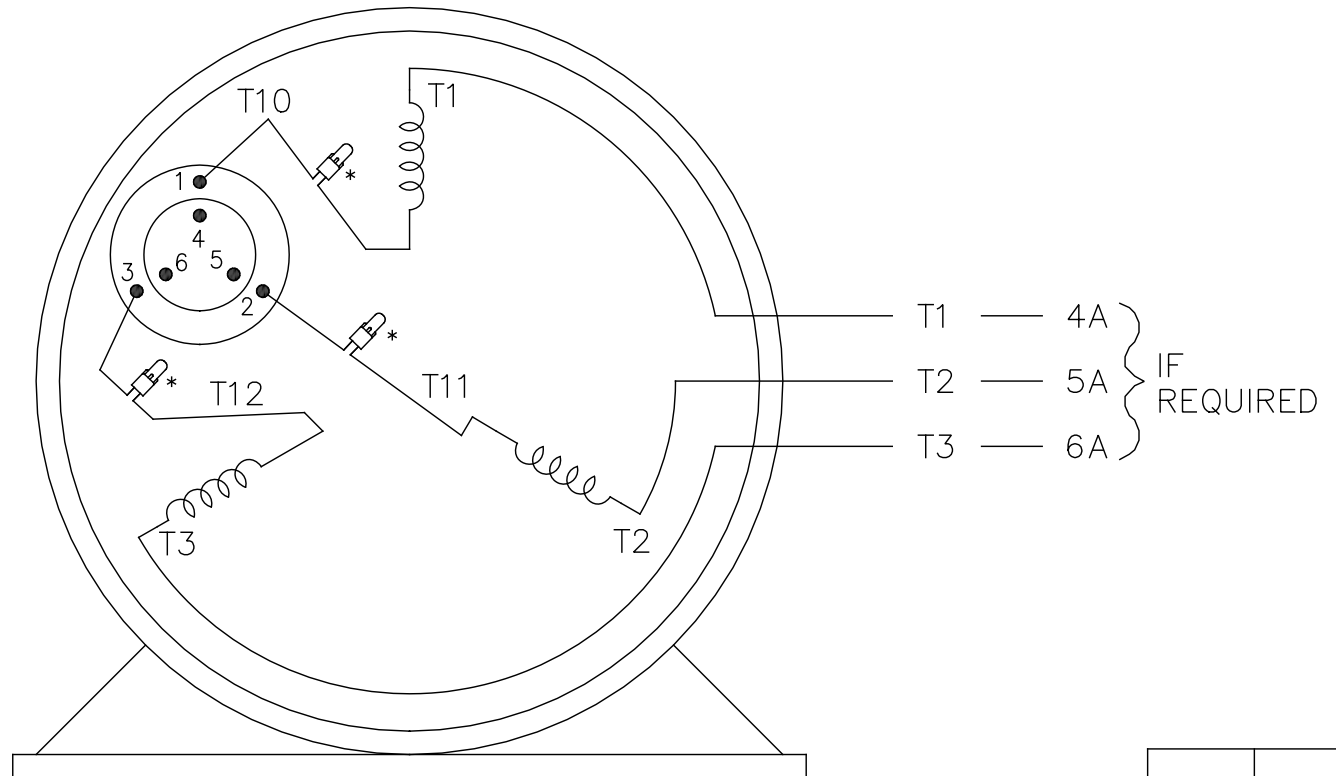


NOTE:
ACTUAL PROTECTOR
TERMINAL LOCATIONS
FOR LEAD CONNECTIONS

NOTE:

WEST PLAINS

LEADS WITH TERMINALS
SHOULD BE CONNECTED
TO INBOARD SIDE OF
TERMINAL BOARD.



VIEW OF TERMINAL END

OPTIONAL CORD
CONNECTION

L1 — WHITE —
L2 — RED —
L3 — BLACK —

		T6CK
T6CA		T6BM
T4CC		T4AY
T4C		T2DL
T6D		T2H

—TO REVERSE ROTATION—
INTERCHANGE ANY TWO
LINE LEAD CONNECTIONS

* USE PRESSURE CONNECTORS FOR MT2 PLANT ONLY

NO.	REVISION	BY & DATE	CHK	ANG	±	—	FINISH	PREV
11	ADDED THE OPTIONAL CORD CONNECTION	JAH 11-12-2014	RD					
10	PRESSURE CONNECTORS ADDED (QTY 3)	PVR 07-09-2014	GR					
9	ADDED 4A, 5A, & 6A "IF REQUIRED" MU44987	MSG 01-07-2002	SAS	.X	±	—		
8	ADDED ACTUAL PROTECTOR VIEW CN 17481	KL 05-18-1994		.XX	±	—		
7	REWORDED WEST PLAINS NOTE – PER WEST PLAINS	DD 01-12-1994		.XXX	±	—		
6	REDRAWN ON CAD – "WEST PLAINS" NOTE ADDED	KL 08-26-1993		.XXXX	±	—		

TOLERANCES
UNLESS SPECIFIED
DEC. INCHES



TITLE CONNECTION DIAGRAM
SINGLE VOLT – 3Ø WITH OVERLOAD PROT.

DRAWN	KL	08-25-1993
CHK	RD	11-12-2014
APPD	RD	11-12-2014
SCALE	1=1	
REF		
FMF		
PREV		

THIS DRAWING IN DESIGN AND DETAIL IS OUR PROPERTY AND MUST NOT BE USED EXCEPT
IN CONNECTION WITH OUR WORK ALL RIGHTS OF DESIGN AND INVENTION ARE RESERVED
THIS IS AN ELECTRONICALLY GENERATED DOCUMENT – DO NOT SCALE THIS PRINT

RFP	CAD FILE	EE7335B
DIST	LB-WP	

SIZE	DRAWING NO.	PAGE	OF	REV.
A	EE7335B			11

Data Sheet

Date: 29-06-2017
 Customer: _____
 Attention: _____
 Submitted by: FAREEDA DUDEKULA



145TTDR16054

Submittal

Data @ 575 V

Motor Load Data

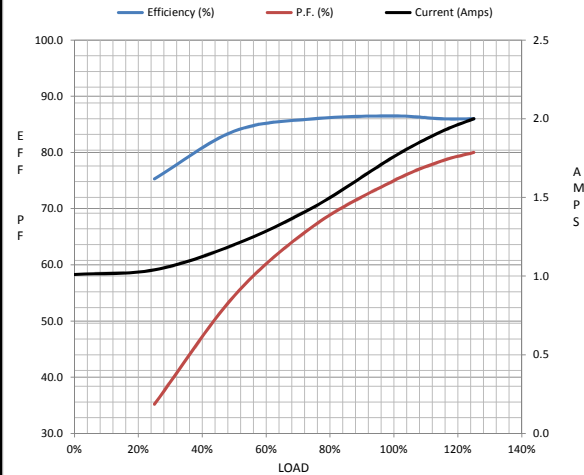
Load	0%	25%	50%	75%	100%	115%	125%	LR
Current (Amps)	1.01	1.04	1.20	1.44	1.76	1.92	2.00	15.8
Torque (ft-lb)	0.00	1.10	2.20	3.4	4.5	5.2	5.7	16.7
RPM	1800	1788	1775	1765	1755	1,745	1740	0
Efficiency (%)		75.3	83.8	86.0	86.5	86.0	86.0	
P.F. (%)	9.3	35.2	54.5	67.0	75.0	78.5	80.0	68.0

Motor Speed Data

	LR	Pull-Up	BD	Rated	Idle
Speed (RPM)	0	120	1220	1755	1800
Current (Amps)	15.8	16.2	10.5	1.76	1.01
Torque (ft-lb)	16.7	16.6	21.7	4.5	0.00

Information Block

HP	1.5			
Sync. RPM	1800			
Frame	145			
Enclosure	DP			
Construction	TDR			
Voltage	575 V			
Frequency	60 Hz			
Design	A			
LR Code letter	M			
Service Factor	1.15			
Temp Rise @ FL	28 ° C			
Duty	CONT			
Ambient	40 ° C			
Elevation	1,000 feet			
Rotor/Shaft wk ²	0.00 Lb-Ft ²			
Ref Wdg	ZT4258 NONE			
Sound Pressure @ 1M	56 dBA			
VFD Rating	NONE			
Outline Dwg	A-100085-906			
Conn. Diag	A-EE7335B			
Additional Specifications:				
0				
365THFS8036				
EQUIV CKT (OHMS / PHASE)				
R1	R2	X1	X2	Xm
0.0000	0.0000	0.0000	0.0000	0.0000



Speed -Torque Curve

